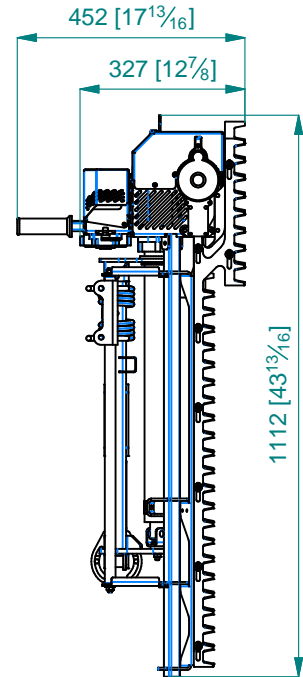
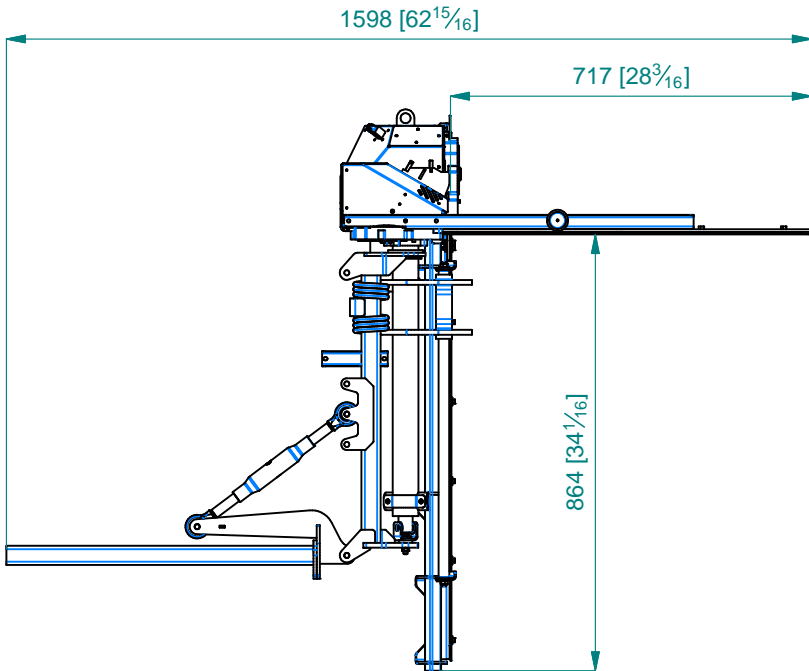
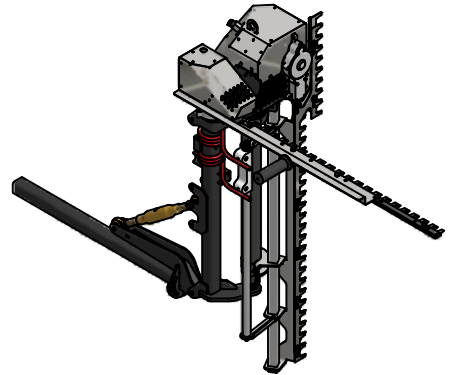
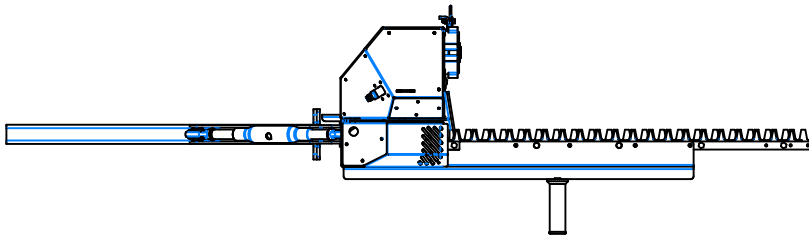


mm [ in ]



1 / 3	--	8051722.01001			
Sheet Nr.	Amount	Part Number	Material	Dimensions	Material Code

# 517 Electric Trimmer

Property of Munckhof Manufacturing  
Copyrighted  
All Rights for Redistribution Reserved



**Munckhof Manufacturing**  
Phone: ( 250 ) 498 - 4426  
Fax: ( 250 ) 498 - 4460

Scale:	1 : 20	Date
Author:	Mike	01/03/2022
Revision:		
American Projection		

Drawing Nr.
5173-0100122